




Date : 26/06/2018

## CERTIFICATE OF COMPLIANCE

This certificate of compliance validates the following			
<b>TEST REPORT NUMBER</b> 'Assessment Reports' are not acceptable	IGV – 351255 SGV – 352649	<b>CERTIFICATE NUMBER</b>	ME 5073
<b>DATE OF ISSUE</b>	22 <sup>nd</sup> July 2015	<b>DATE OF ISSUE</b>	29 <sup>th</sup> June 2015
<b>DATE OF EXPIRY</b>		<b>DATE OF EXPIRY</b>	28 <sup>th</sup> June 2020
Manufacturer details			
<b>NAME OF FACTORY/ MANUFACTURER</b>	Apreco Limited. Unit 2. Bishops Frome Technology Park Bishops Frome. Worcester. WR6 5AY. United Kingdom.	<b>NAME OF THE BRAND</b>	Apreco
<b>FACTORY ADDRESS / REGION</b> (STREET / TOWN / CITY / COUNTRY )	Apreco Limited. Unit 2. Bishops Frome Technology Park. Bishops Frome. Worcester. WR6 5AY. United Kingdom.	<b>MODEL / NO</b>	IGV (Inert Gas Vent) SGV (Synthetic Gas Vent)
<b>WEBSITE</b>	www.apreco.com	<b>LOGO ON THE PRODUCT</b>	
<b>TEL</b>	+44(0)1885 485 070	<b>EMAIL</b>	info@apreco.com



Product Details From Test Report		Reference Test Report page NO
<b>DESCRIPTION OF THE PRODUCT</b> (TECHNICAL DETAILS FROM TEST REPORT, SUCH AS ACTUAL FIRE RATINGS/DIMENSIONS/THICKNESS/ SENSITIVITY ETC)	Inert & Synthetic gas vents with a fire resistance rating of up to 245 minutes (4 Hours) The units are constructed of 1.2mm Zintec Steel.	No.351255 – Pages 1 & 2 No. 352649 – Pages 1 & 2
<b>TEST STANDARD</b> (SUCH AS ASTM/BS EN/ DN ETC)	BS EN 1634-1	No.351255 – Page 2 No.352649 – Page2
<b>TEST DESCRIPTION</b>	Test to determine the fire resistance performance of two inert gas vents (IGV's) and one Synthetic gas vent (SGV) in accordance with BS EN 1634-1. The specimens were judged on their ability to comply with the performance criteria for integrity and heat radiation, as determined in BS EN 1363-1 and BS EN 363-2.	No.351255 – Page 5 No.352649 – Page 5
<b>SPECIFICATION OF TEST SPECIMEN</b>	The Inert gas vents each of overall size 1140mm wide by 1152mm wide by 116mm deep; having an internal opening of nominally 1008mm wide by 1024mm high and the Synthetic gas vent with an overall size 1140mm by 1152mm wide by 137mm deep; having an internal opening of nominally 1000mm wide by 1002mm high. Each fitted into an aperture in an aerated blockwork wall 150mm thick. The vents incorporated a wall liner/flange mounting formed from 1.2mm thick powder coated Zintec steel. IGV – Standard Flow Specimen B IGV – Reverse Flow Specimen A SGV – Dual flow specimen	No.351255 – Page 2 No.352649 – Page 2
<b>TEST RESULT</b> (SUCH AS PASSED CRITERIA ___/ COMPLIED TO ___/ DURATION ___/OBSERVATION ___/ETC)	Integrity Performance for sustained flaming and gap gauge results to BS EN 1634-1 fire resistance tests, BS EN 1363-1 general requirements and BS EN 1363-1 alternative and additional procedures : IGV Specimen A = 245 minutes sustained flaming / 127 minutes gap gauge. IGV Specimen B = 245 minutes sustained flaming / 245 minutes gap gauge. SGV Specimen = 245 minutes sustained flaming / 245 minutes gap gauge	No.351255 – Page 28 No.352649 – Page 23
<b>PRODUCT APPLICATION GUIDELINE (END USE)</b> (CLEARLY STATE THE END USE WITH SPECIFIC APPLICATION, SUCH AS EXACT FIRE RATING/TO BE INSTALLED IN ___/TO BE INSTALLED AT ___/TO BE CONNECTED WITH ___/TO BE INSTALLED WITH ___ ETC ALONG WITH ANY WARNINGS SUCH AS NOT TO BE USED IN ___/NOT TO BE INSTALLED AT ___/ NOT TO BE INSTALLED WITH ___ ETC.	The inert gas vents and synthetic gas vents are designed for the use with gaseous fire suppression systems where inert/synthetic gases are used to extinguish fires. The IGV & SGV vents are designed to relief excess pressure on a system discharge. The vents should be installed in vertical partitions to maintain the fire integrity.	



### Laboratory and Certification body details

<b>NAME OF CERTIFICATION BODY</b>	Exova (UK) Limited trading as Warrington Certification	<b>NAME OF TEST FACILITY</b>	Exova Warringtonfire
<b>CERTIFICATION BODY ADDRESS / REGION</b> <small>(STREET / TOWN / CITY / COUNTRY )</small>	Holmesfield Road Warrington WA1 2DS United Kingdom	<b>TEST FACILITY ADDRESS / REGION</b> <small>(STREET / TOWN / CITY / COUNTRY )</small>	Holmesfield Road Warrington WA1 2DS United Kingdom
<b>WEBSITE</b>	<a href="http://www.warringtoncertification.com">www.warringtoncertification.com</a>	<b>WEBSITE</b>	<a href="http://www.exova.com">www.exova.com</a>
<b>TEL</b>	+44 (0) 1925 655116	<b>TEL</b>	+44 (0) 1925 655116
<b>EMAIL</b>	<a href="mailto:info@exova.com">info@exova.com</a>	<b>EMAIL</b>	<a href="mailto:warrington@exova.com">warrington@exova.com</a>
<b>ACCREDITED BY</b> <small>(NAME OF ACCREDITATION BODY WHICH ISSUED ACCREDITATION TO THE CERTIFICATION BODY, ALONG WITH WEBSITE)</small>	UKAS (United Kingdom Accreditation Services)	<b>ACCREDITED BY</b> <small>(NAME OF ACCREDITATION BODY WHICH ISSUED ACCREDITATION TO THE LABORATORY, ALONG WITH WEBSITE)</small>	UKAS (United Kingdom Accreditation Services)
<b>AS PER</b> <small>(STANDARD TO WHICH THE CERTIFICATION BODY IS ACCREDITED TO)</small>	BS EN ISO/IEC 17065:2012	<b>AS PER</b> <small>(STANDARD TO WHICH YOUR ORGANIZATION IS ACCREDITED TO)</small>	ISO/IEC 17025:2005
<b>VALIDITY</b> <small>(EXPIRY DATE OF CERTIFICATION BODY ACCREDITATION)</small>	Initial Accreditation Granted: 01 <sup>st</sup> August 1999 Current Certificate Issued: 28 <sup>th</sup> June 2016	<b>VALIDITY</b> <small>(EXPIRY DATE OF LABORATORY ACCREDITATION)</small>	Current certificate issued 15 <sup>th</sup> November 2017
<b>REFERENCE NUMBER:</b> <small>(CERTIFICATION BODY ACCREDITATION REFERENCE NUMBER TO VERIFY ON THE ACCREDITOR'S WEBSITE)</small>	UKAS Certification Body No. 0087 Notified Certification Body No. 1121	<b>REFERENCE NUMBER:</b> <small>(THE LABORATORY ACCREDITATION REFERENCE NUMBER TO VERIFY ON THE ACCREDITOR'S WEBSITE)</small>	Notified Body No. 0249
<b>CERTIFICATION MARK</b>			



**(ENDORSEMENT) TO BE SIGNED BY MANUFACTURER**

NAME OF MANUFACTURER'S SIGNATORY	Michael Hodges	SIGNATURE	
EMAIL / TEL	<a href="mailto:info@apreco.com">info@apreco.com</a> +44 (0)1885 485 070	FACTORY OFFICIAL SEAL	
<b>NOTES:</b> I Undertake that all data and information provided are genuine and accurate			

**(ENDORSEMENT) TO BE SIGNED BY CERTIFICATION BODY**

NAME OF CERTIFICATION BODY SIGNATORY	Paul Duggan Certification Manager	SIGNATURE	
EMAIL / TEL	<a href="mailto:ewcl@exova.com">ewcl@exova.com</a> / +44 (0) 1925 655116	CERTIFICATION BODY OFFICIAL SEAL	
<b>NOTES:</b> I Undertake that all data and information provided are genuine and accurate			

**ATTACHMENTS:**

- COPY OF 'CERTIFICATE OF COMPLIANCE' ISSUED BY CERTIFICATION BODY (OLD OR NEW)

---

**CERTIFICATE OF APPROVAL**  
**No ME 5073**

---

**APRECO LIMITED**

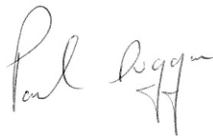
**Unit 2, Bishops Frome Technology Park, Bishops Frome, Worcester**  
**WR6 5AY**  
**Tel: 01885 485070**

Have been assessed against the requirements of the test standard(s)  
denoted below and are approved for use subject to the conditions  
appended hereto:

---

<b>CERTIFIED PRODUCT</b>	<b>TEST STANDARD</b>
<b>Pressure Relief Vent Models:</b>	<b>ETS 001</b>
<b>IGV Inert Gas Vent</b>	
<b>SGV Synthetic Gas Vent</b>	

**Signed and sealed for and on behalf of Exova (UK) Limited trading as**  
**Warrington Certification**



**Paul Duggan**  
**Certification Manager**



Issued: 29<sup>th</sup> June 2015  
Revised: 26<sup>th</sup> June 2018  
Valid to: 28<sup>th</sup> June 2020

Page 1 of 9



---

## CERTIFICATE OF APPROVAL

### No ME5073

---

#### Approved Manufacturing Location

Apreco Limited  
Unit 2  
Bishops Frome Technology Park  
Bishops Frome  
Worcester  
WR6 5AY  
United Kingdom

#### Certification Evidence – IGV Inert Gas Vent

- WF Test Report No. 351255 – test generally in accordance with BS EN 1634-1: 2014
- Sampling and Factory Production Control audits conducted by Warrington Certification Limited. Initial audit and specimen sampling conducted 5<sup>th</sup> May 2015

#### Additional Information - IGV Inert Gas Vent

- BSRIA Report No. 58716/3 – BS EN 13030 and BE EN 13141-1

#### Certification Evidence – SGV Synthetic Gas Vent

- WF Test Report No. 352649 – test generally in accordance with BS EN 1634-1: 2014
- Sampling and Factory Production Control audits conducted by Warrington Certification Limited. Initial audit and specimen sampling conducted 5<sup>th</sup> May 2015

#### Additional Information - SGV Inert Gas Vent

- BSRIA Report No. 58716/2 – BS EN 13030 and BE EN 13141-1

#### Product Description

The IGV range of inert gas pressure relief vents and the SGV range of synthetic gas pressure relief vents are designed specifically for over and under pressure venting associated with gaseous fire suppression systems used for fire protection.

The pressure relief vents can also provide protection against under-pressure characteristics found with synthetic/chemical suppressant systems. The IGV vents have the unique benefit of reversible flanges allowing installers to alter the flow direction configuration on site, whilst keeping the units housed within the wall avoiding protrusions and achieving a fire performance as detailed within this certificate.

---

## CERTIFICATE OF APPROVAL

### No ME5073

---

Apreco IGV and SGV vents are of the 'counter-weighted' design to prevent the risks of over and under pressurisation resulting from the use of gaseous fire suppression systems. Details of their free venting performance are also reported within this certificate.

Maximum room pressure is controlled by the pressure relief vents opening to release excess pressure generated during gas discharge. They are designed to close during the discharge once the initial peak pressures have been relieved to retain the levels of suppressant within the protected area to prevent re-ignition.

The IGV – Inert Gas Vents are supplied in standard sizes as follows:

- IGV 0301 (nominal size of 300mm x 100mm)
- IGV 0303 (nominal size of 300mm x 300mm)
- IGV 0501 (nominal size of 500mm x 100mm)
- IGV 0505 (nominal size of 500mm x 500mm)
- IGV 0707 (nominal size of 700mm x 700mm)
- IGV 1010 (nominal size of 1000mm x 1000mm)

Alternative vent sizes are available in 100mm increments from nominal 100mm to 1000mm.

The SGV – Synthetic Gas Vents are supplied in standard sizes as follows:

- SGV 0301 (nominal size of 300mm x 100mm)
- SGV 0501 (nominal size of 500mm x 100mm)
- SGV 0303 (nominal size of 300mm x 300mm)
- SGV 0505 (nominal size of 500mm x 500mm)
- SGV 0705 (nominal size of 700mm x 700mm)
- SGV 1010 (nominal size of 1000mm x 1000mm)

Alternative vent sizes are available in 100mm increments from nominal 100mm to 1000mm.

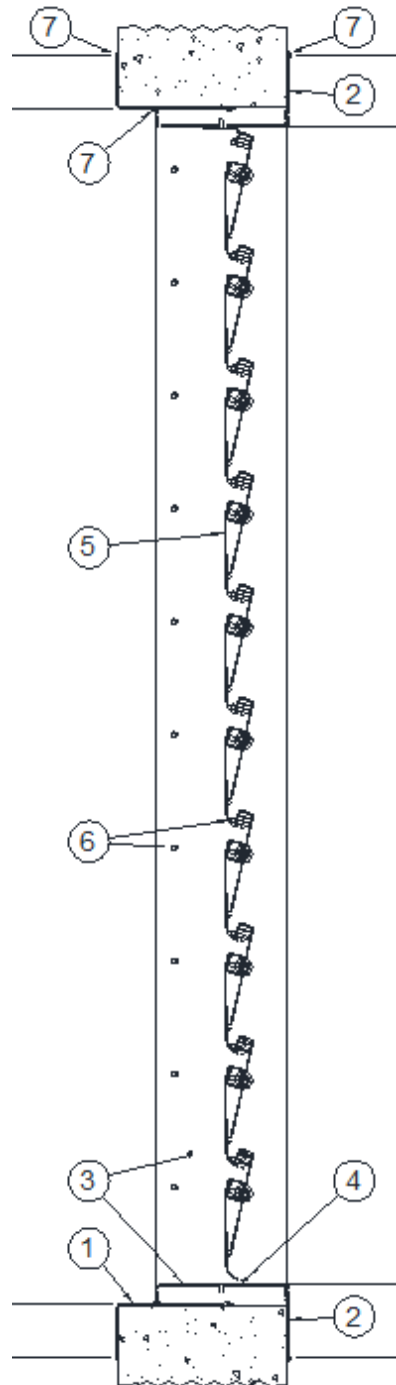
---

# CERTIFICATE OF APPROVAL

## No ME5073

---

The IGV Inert Gas Vent products are described below:





---

## CERTIFICATE OF APPROVAL

### No ME5073

---

<u>Item</u>	<u>Description</u>
<b>1. Wall Liner</b>	
Manufacturer	: Apreco Ltd
Material	: Powder coated (white) Zintec steel
<b>2. Front Flange</b>	
Manufacturer	: Apreco Ltd
Material	: Powder coated (white) Zintec steel
<b>3. Frame</b>	
Manufacturer	: Apreco Ltd
Material	: Powder coated (white) Zintec steel
<b>4. Gap Closures</b>	
Manufacturer	: Apreco Ltd
Material	: Powder coated (white) Zintec steel
<b>5. Blade Assembly</b>	
Manufacturer	: Apreco Ltd
Reference	: IGV 1000 Blade Assembly
<b>6. Blade Stop Post</b>	
Material	: Stainless steel rod
<b>7. Perimeter Sealant</b>	
Manufacturer	: Astroflame
Reference	: Intumescent acoustic acrylic mastic
<b>Fixings to blockwork</b>	
i. manufacturer	: Spit
ii. reference	: The Original Tapcon Concrete Anchors
iii. material	: Steel
iv. overall size	: 50 mm long x 5 mm diameter
v. quantity	: 4 off per side, nominally 50 mm from each corner and at 450 mm centres

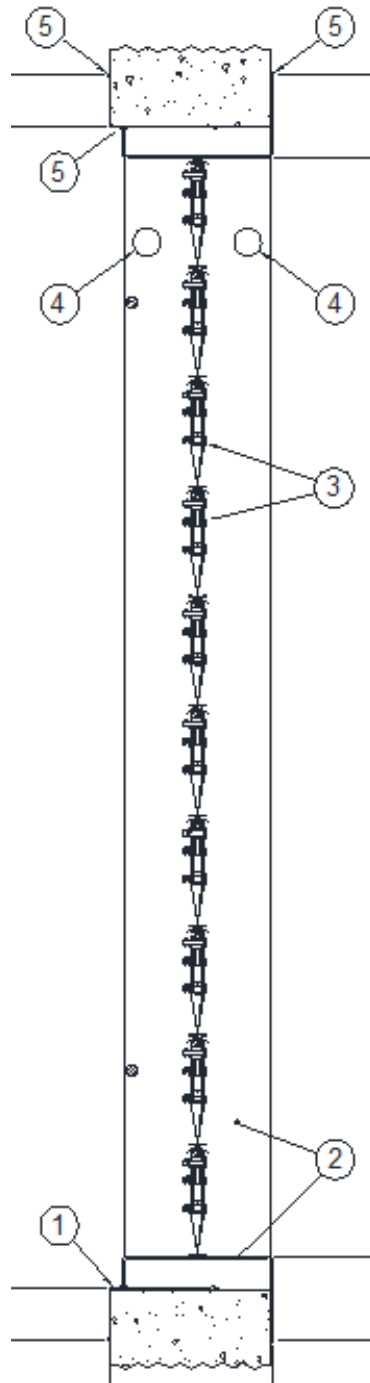
---

# CERTIFICATE OF APPROVAL

## No ME5073

---

The SGV Synthetic Gas Vent products are described below:



---

## CERTIFICATE OF APPROVAL

### No ME5073

---

<u>Item</u>	<u>Description</u>
<b>1. Wall Liner</b>	
Manufacturer	: Apreco Ltd
Material	: Powder coated (white) Zintec steel angle
<b>2. Frame</b>	
Manufacturer	: Apreco Ltd
Material	: Powder coated (white) Zintec steel angle
<b>3. Blade Assembly</b>	
Manufacturer	: Apreco Ltd
Reference	: SGV 1000 Blade Assembly
<b>4. Fusible Link</b>	
Manufacturer	: Apreco Ltd
Reference	: Fusible Link Assembly
<b>5. Perimeter Sealant</b>	
Manufacturer	: Astroflame
Reference	: Intumescent acoustic acrylic mastic
<b>Fixings to blockwork</b>	
i. manufacturer	: Spit
ii. reference	: The Original Tapcon Concrete Anchors
iii. material	: Steel
iv. overall size	: 50 mm long x 5 mm diameter
v. quantity	: 4 off per side, nominally 50 mm from each corner and at 450 mm centres

## CERTIFICATE OF APPROVAL No ME5073

### Certificated Product Performance – IGV Inert Gas Vent

The IGV Inert Gas Pressure Relief Vents certificated provide the following performance when tested generally in accordance with BS EN 1634-1: 2014:

<b>Standard Flow Orientation</b>	<b>240 minutes integrity</b>
<b>Reverse Flow Orientation</b>	<b>120 minutes Integrity</b>

### Product Performance\* – IGV Inert Gas Vent

From recorded pressure drops across an IGV 0505 at a range of airflows following the test methods defined in BS EN 13030, the equivalent are is calculated, in accordance with EN 13141-1, to be as follows:

<b>Equivalent Area</b>	<b>0.25m<sup>2</sup> (for IGV 0505 variant)</b>
------------------------	---

### Certificated Product Performance – SGV Synthetic Gas Vent

The SGV Synthetic Gas Pressure Relief Vents certificated provide the following performance when tested generally in accordance with BS EN 1634-1: 2014:

<b>Dual Flow Orientation</b>	<b>240 minutes integrity</b>
------------------------------	------------------------------

### Product Performance\* – SGV Inert Gas Vent

From recorded pressure drops across an SGV 0505 at a range of airflows following the test methods defined in BS EN 13030, the equivalent are is calculated, in accordance with EN 13141-1, to be as follows:

<b>Equivalent Area</b>	<b>0.22m<sup>2</sup> (for SGV 0505 variant)</b>
------------------------	---

\*see note 4 overpage



---

## CERTIFICATE OF APPROVAL

### No ME5073

---

#### Information

1. It is the responsibility of the user of the information contained within this document to establish appropriate safety and health practices and determine the applicability of regulatory requirements prior to use of the product
2. The performance stated herein relates only to the specimens of the product in the form in which they were tested within rigid masonry walls.
3. This certification relates to on-going production. The product and/or its immediate packaging shall be identified with the certification mark including the certification number, and the manufacturer's name and the product name or code reference.
4. Product performance relating to equivalent area has been supplied by BSRIA (Building Services Research and Information Association) UK, taken from dynamic tests carried out in accordance with test protocols and calculation methods in BS EN 13030 and EN 13141-1, These results are presented for product information only rather than being certificated performance indicators.

A handwritten signature in black ink, appearing to read 'Paul Agg'.